



# Quick Start Guide

## Ceramic Water Purifying Pet Fountain USB



85 FL OZ



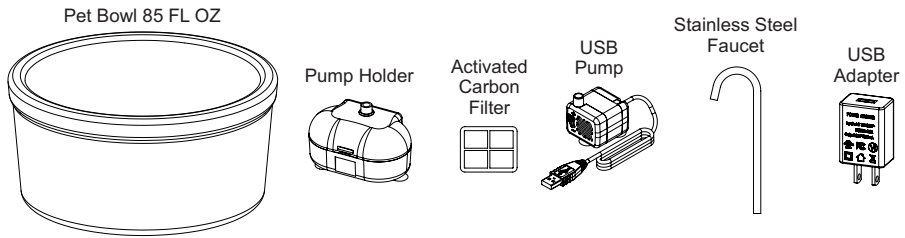
## 1. WELCOME

Did you know that cats enjoy to hydrate themselves with running water? That's why it's so common to see them jumping in the sinks and looking for faucets. In addition, studies show that fluoride and chlorine harm pets' kidneys. Thinking on this, Amicus developed the Aqua Clay Ceramic Water Purifying Pet Fountain to bring quality of life, longevity and safety for your pet.

Aqua Clay has an activated carbon filter that is responsible for remove contaminants, poor tastes and odor. It also adds naturally oxygen to the water, making the pet drink even more and stay healthy.

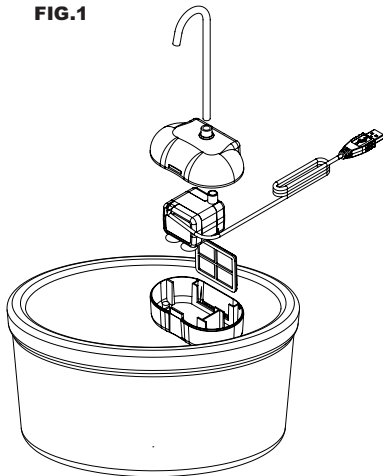
Please, before starting to use the product, carefully read the safety information contained in this manual and, in case of doubts, please, contact us (10. CUSTOMER SERVICE).

## 2. IN THE BOX



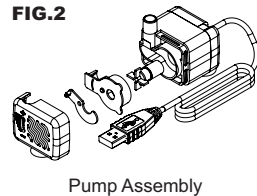
## 3. ASSEMBLE PET FOUNTAIN

FIG.1



Aqua Clay Assembly

FIG.2



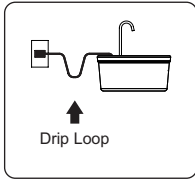
Pump Assembly

## 4. OPERATING INSTRUCTIONS

**WARNING:** The fountain must be working continuously, as long as the water level is maintained at least above the half of the pet bowl and cleaning is done periodically.

- Always check the water level to avoid damage to the pump, as in addition to your pet drinking it, it can evaporate.
- Clean the pump periodically, as dirt accumulation can result the pump to seize up and stop working. **NOTE:** Unplug the product from the electrical outlet before starting cleaning.
- Do not turn on the pump out of the water, as this can reduce its service life. Water plays a very important role for its proper functioning.
- Never wash the filter with soap as soap residue will seep into the filter and cannot be removed. Wash the filter only with clean running water.
- To turn on the product, connect the pump's USB cable to the USB adapter, then plug it into an electrical outlet. **NOTE:** The adapter is full range (100~240 Vac).

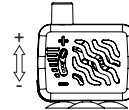
- The use of accessories not recommended and manufactured by Amicus may cause unsafe operation and accidents.
- Do not install or store the product where it will be exposed to weather or temperatures below 40° F.
- Use only authorized Amicus brand replacement filters.
- Do not use the product outdoors or in other places where it is exposed to weather conditions.



**CAUTION IN INSTALLATION:** To avoid the possibility of the plug or electrical outlet getting wet, make a "Drip Loop" on the cable as shown in the figure on the side. The "Drip Loop" is the part of the cable where its level is below the level of the electrical outlet, plug or connector (if an extension cord is used).

This procedure will prevent water from running down the cable and down to the electrical outlet. However, if the electrical outlet or plug getting wet, turn off the electricity or the circuit breaker that supplies it and contact us (**10. CUSTOMER SERVICE**). NEVER touch a wet power electrical outlet as there is a risk of electric shock.

- The water flow adjustment of the pump can be done according to your pet's need.  
**NOTE:** We recommend adjusting the water flow to the lowest level so that the water fall is smoother and pleasing to the pet.



- + Increases the water flow
- Reduces the water flow

## 5. PRODUCT CLEANING

To ensure the proper functioning of the Aqua Clay Pet Fountain, it is essential that the entire kit be cleaned periodically, especially the pump, as it may stop working due to the accumulation of dirt.

### WARNINGS:

- 1. Not dishwasher safe:** Do all the cleaning manually, none of the parts of this kit are safe for the dishwasher.
- 2. Clean every two weeks or as needed:** Pump cleaning is essential to product operation.

Follow the steps below to cleaning up:

- 1.** Unplug the adapter from the electrical outlet and remove it from the pump. **NOTE:** Do not put the adapter near the sink or water so that it does not get wet.
- 2.** Disassemble the Pet Fountain following the reverse order of assembly (**FIG.1**).
- 3.** Wash all parts of the kit with clean water and neutral liquid soap. **ATTENTION:** The activated carbon filter can also be washed, but only with clean and running water.
- 4.** Disassemble the pump following the reverse order of assembly (**FIG.2**).
- 5.** Wash all pump parts with clean water and neutral liquid soap. **NOTE:** Use a small brush or cotton swab to help with cleaning.
- 6.** Assemble the kit again, add water into the pet bowl, connect the pump's USB cable to the adapter and plug it into the electrical outlet.

## 6. ACTIVATED CARBON FILTER

The filter is responsible for removing contaminants, poor taste and odor present in the water. Its use is not necessary for the product to work, but it is recommended.

To get all these benefits, the exchange should be done regularly as below:

- **FILTERED WATER:** 3 months
- **TAPE WATER (UNFILTERED):** 1 month

**NOTE:** The activated carbon filter can also be washed, but only with clean and running water.

## 7. TECHNICAL SPECIFICATIONS

### USB PUMP

Input: 5 Vdc - USB

Power: 1,2 W

Maximum lifting height: 2.6 feet

Maximum flow rate: 40 gallons per hour

IPX8 Waterproof

### USB ADAPTER

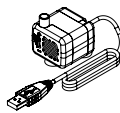
Input: 100~240 Vac - 50/60 Hz (Full Range)

Output: 5 Vdc - 1A

## 8. REPLACEMENT PARTS AND ACCESSORIES



Activated  
Carbon  
Filter



USB  
Pump

## 9. IMPORTANT SAFETY INFORMATION



Carefully read and obey all safety instructions in this manual to avoid electrical shock, personal injury, serious injury and death.

**PRECAUTIONS:** This product is not intended for use by persons (including children) with reduced physical, sensory or mental capabilities, or by persons with a lack of experience and knowledge, unless they have been given instructions concerning use of the product or are under supervision of a person responsible for your safety. It is recommended that children are supervised to ensure that they are not playing with the product.

**WARNING: WHEN USING ELECTRICAL APPLIANCES, BASIC SAFETY PRECAUTIONS SHOULD ALWAYS BE FOLLOWED TO REDUCE THE RISK OF FIRE, ELECTRIC SHOCK AND/OR INJURY TO PERSONS, INCLUDING THE FOLLOWING:**

- To reduce the risk of injury, children should be supervised so that they do not attempt to handle the product without the presence of an adult or responsible person.
- To protect against electric shock, do not place the plug in water or other liquids.
- To turn off the product, unplug the adapter from the electrical outlet. **NOTE:** do not try to remove the product by the cord.
- Do not operate the product if the power cord is cut, broken or has exposed wiring.
- To reduce the risk of electric shock, do not install or store the product near faucets, sinks, bathrooms, swimming pools, etc.
- Always unplug the product from the electrical outlet before cleaning, before replacing any parts or even when the product not in use.
- Do not use this product for any other application that is not contained in this guide.
- If the adapter of the product getting wet, turn off the electricity and do not attempt to remove it from the electrical outlet. In this case, contact us (10. CUSTOMER SERVICE).
- After installation, examine the product and do not plug it into an electrical outlet if the product or outlet is wet.
- Do not attempt to repair the product yourself.

**CAUTION:** Do not allow pets to chew or swallow any part of the product.

**IMPORTANT:** Aqua Clay Pet Fountain operates on very low DC voltage. This voltage is provided by the USB adapter which is a switched mode power supply (SMPS) with isolation. This SMPS converts the AC power from the electrical network to a lower and safety DC level and does so without a physical connection between the electrical network and the adapter output, where the USB connector for connecting the pump is located. This way, even if your pet bites the power cord, it will be safe. **NEVER REPLACE THE AQUA CLAY'S PUMP WITH ANOTHER MODEL, ESPECIALLY THOSE WHERE THE CONNECTION IS MADE DIRECTLY TO THE ELECTRIC NETWORK (MODELS WITHOUT ADAPTER), BECAUSE IF YOUR PET BITES THE POWER CORD, IT COULD DIE OF ELECTROCUTION AND/OR CAUSE A FIRE.**

## 10. CUSTOMER SERVICE

E-mail: [sac@amicus.com.br](mailto:sac@amicus.com.br)  
WhatsApp: +553534710871

Website: [www.amicus.com.br](http://www.amicus.com.br)  
Instagram: @amicusinovacoes

## 11. WARRANTY

The warranty period is 3 months from the date of purchase of this product. To activate the guarantee, contact us (10. CUSTOMER SERVICE). **NOTE:** The date of purchase of the product can be proven through the invoice, credit card invoice, and others.

## 12. TERMS OF USE AND LIABILITY

- 1. Terms of Use:** The use of this product implies acceptance of all terms, conditions, notices and information contained in this guide.
- 2. Proper Use:** This product was designed for circulating and filtering water. Its acceptance will depend on your pet's temperament. If in doubt, consult your veterinarian, trainer or contact us. Proper use of this product includes entire reading this guide, especially the warnings and safety information in its contents.
- 3. Purpose:** This product was designed for use with pets only. Any other form of use is not recommended.
- 4. Limitation of liability:** Under no circumstances will Amicus Inovações be liable for any direct damages, indirect, punitive, incidental, special or consequential damages, or any damages caused or related to the improper use of this Product. Buyer assumes all risk and liability for improper use of this product.
- 5. Modification of terms and conditions:** Amicus Inovações reserves the right to modify the terms, conditions and notices under which this product is offered.